



CHIEFTAIN®

CHIEFTAIN® Agricultural & Fast-tow
Drawbar Low Loader



Agricultural & Fast-tow
Drawbar Low Loader



- Low Loader or Flatbed option.
- 2 axle model – 19ton GTW.
- 3 axle model – 27ton GTW.
- Mechanical suspension.
- 215/75R 17.5 tyres.
- Various ramp types.
- Swing-out outriggers (optional).
- Toolboxes (optional).
- Sprung Drawbar (optional).
- Hydraulic or Air/Hydraulic brakes.
- Side marker lights.
- Painted ICI 2-pac chieftain orange.
- Full range of optional extras.

2 AXLE 15' TYPICAL DIMENSIONS

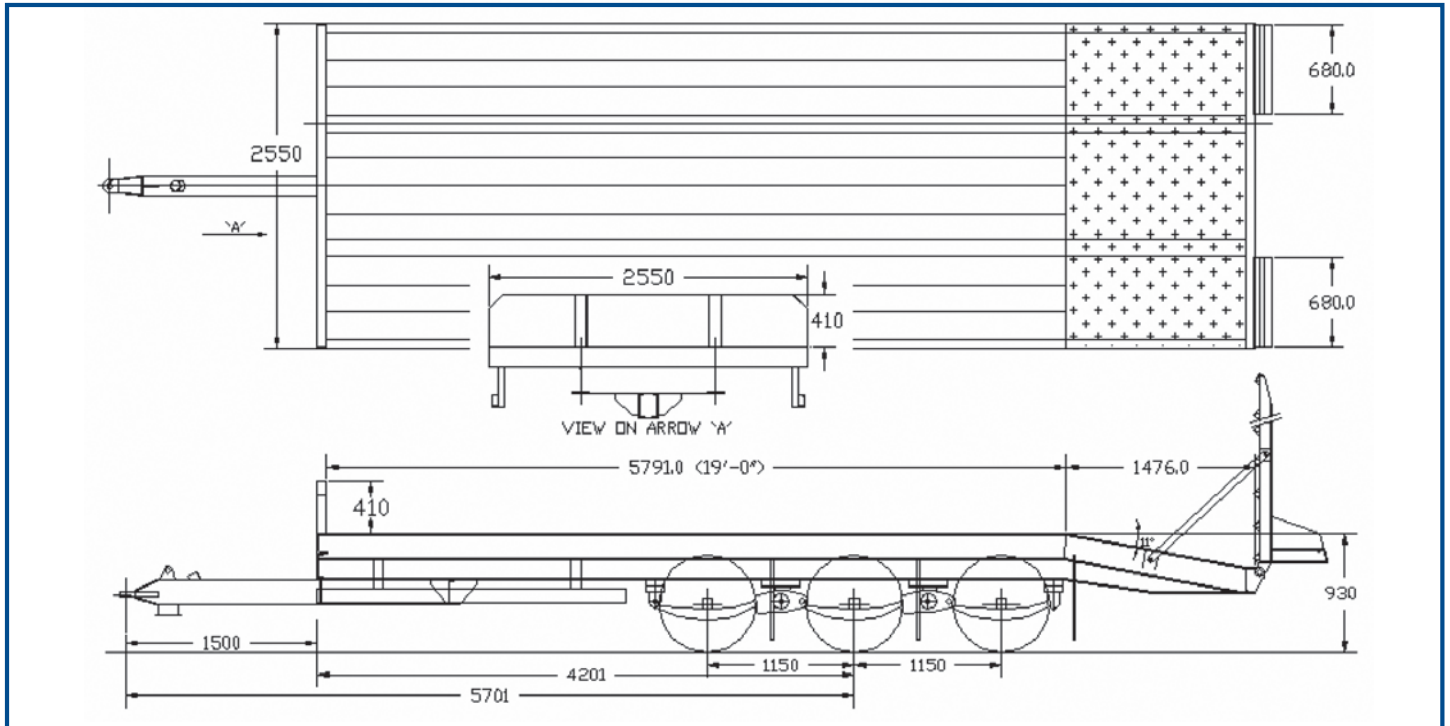
Overall Length	7940mm	Beaver Length	1476mm
Bed Length	4570mm	Overall Width	2550mm
Chassis Length	6115mm	Axle Centres	1360mm

3 AXLE 19' TYPICAL DIMENSIONS

Overall Length	9160mm	Beaver Length	1476mm
Bed Length	5790mm	Overall Width	2550mm
Chassis Length	7340mm	Axle Centres	1360mm

TRAILER WEIGHTS

	2 Axle	3 Axle
Gross Trailer Weight	19,000kg	27,000kg
Axle Capacity	8,000kg	8,000kg
Towing Eye Load	3,000kg	3,000kg
Est Tare Weight	3,200kg	4,500kg
Approx Payload	15,800kg	22,500kg



HEAD OFFICE

207 COALISLAND ROAD DUNGANNON CO. TYRONE N. IRELAND BT71 4DP

T +44 (0)28 8774 7531 F +44 (0)28 8774 7530 E sales@chieftaintrailers.com W www.chieftaintrailers.com

UK DEPOT

STABLEFORD NEWCASTLE-UNDER-LYME STAFFORDSHIRE ST5 4EN

T +44 (0)1782 681 255 F +44 (0)1782 681 068 E sales@chieftaintrailers.com W www.chieftaintrailers.com

Chieftain pursues a policy of continuous development for its products. Product specifications are subject to change without notice or obligation. The photographs and drawings in this brochure are for illustrative purposes only. Prices and specifications are subject to change without notice. The only warranty applicable is the standard written warranty applicable to the particular product and sale. Chieftain makes no other warranties, whether expressed or implied. "Chieftain" is a registered trademark of Chieftain Trailers Ltd.