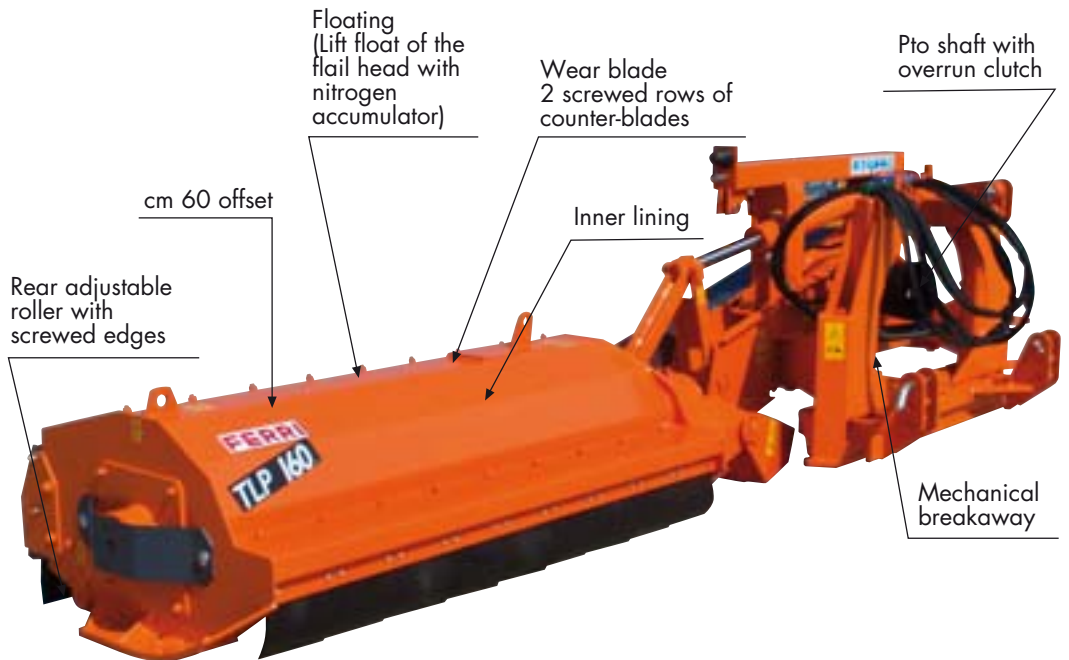


FERRI®

TLP

"PROFESSIONAL" OFFSET MOWERS



Lift float



Hydraulic offset




Elastic Joint between gearbox and rotor



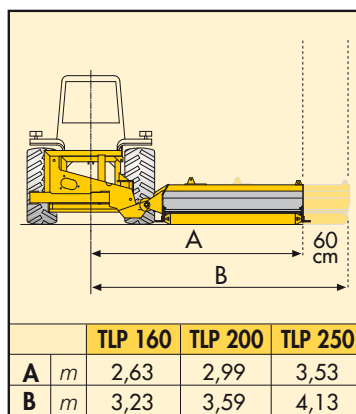
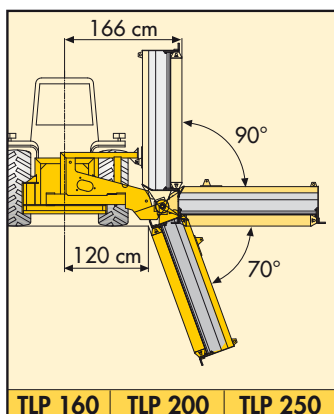
Mechanical breakaway

TLP160A
Front version for tractors with front mounting



HP Tractor 	70	80	90	100	110	120	Min. tractor weight Kg	Min. tractor width m
TLP160	████████████████████						2400	1,80
TLP200		████████████████████					2600	2,00
TLP250			████████████████████				3000	2,20

Working positions (m)



Technical data

Model	Width of cut <i>m</i>	Max sidesliding* <i>m</i>	Flail head angle degrees	Weight <i>Kg</i>	Pto <i>Rpm</i>	Belts <i>n°</i>	Blade tip speed <i>m/sec</i>
TLP160	1,61	2,63-3,23	↓ 70° ↑ 90°	1.000	540	5	50
TLP160A	1,61	2,63-3,23	↓ 70° ↑ 90°	1.000	1.000	5	50
TLP200	1,97	2,99-3,59	↓ 70° ↑ 90°	1.120	540	5	50
TLP250	2,51	3,53-4,13	↓ 70° ↑ 90°	1.340	1.000	1**	45

* Reach measured from tractor centre line to head edge.

** Multiple belt



Machines

Model	No of flails
TLP 160	A 48 hedge trimming flails
	B 32 multiuse "Y" blades
	C 16 forged hammer-blades
TLP 200	A 60 hedge trimming flails
	B 40 multiuse "Y" blades
	C 20 forged hammer-blades
TLP 250	A 78 hedge trimming flails
	B 52 multiuse "Y" blades
	C 26 forged hammer-blades

Machines with side-shift linkage for tractors with front mounting

Model	No of flails
TLP160A	A 48 hedge trimming flails
	B 32 multiuse "Y" blades
	C 16 forged hammer-blades

Accessories



Kit distributor with floating (code ZL1605)

Bumpers with illumination system (code TLP2502)

Features:

- Lift float of the flail head with nitrogen accumulator
- Hydraulic offset through a parallelogram system (cm 60 offset)
- Mechanical breakaway
- Elastic Joint between gearbox and rotor
- Reinforced frame
- Adjustable flow restrictor for flail head drop
- Rear adjustable roller with screwed edges
- Adjustable and wearproof side skids
- Wear blade
2 screwed rows of counter-blades
- Adjustable cutting height
- Pto shaft with overrun clutch

Flails

Specific rotor	Interchangeable on the same rotor	
Articulated hedge trimming blades for: grass, bushes Ø max 1 cm	 <p>Multiuse "Y" blades for: grass, bushes, shrubs Ø max 4 cm</p>	 <p>Forged hammer-blades for: twigs, grass Ø max 4 cm</p>
Code 0901139	Code 0901176	Code 0901175
Standard		

IT IS RECOMMENDED that the connection between tractor and shredder and its setting up should be made with the Dealer according to the instructions and warnings listed on our Use and Maintenance Manual. For further information please contact our after sales service.