



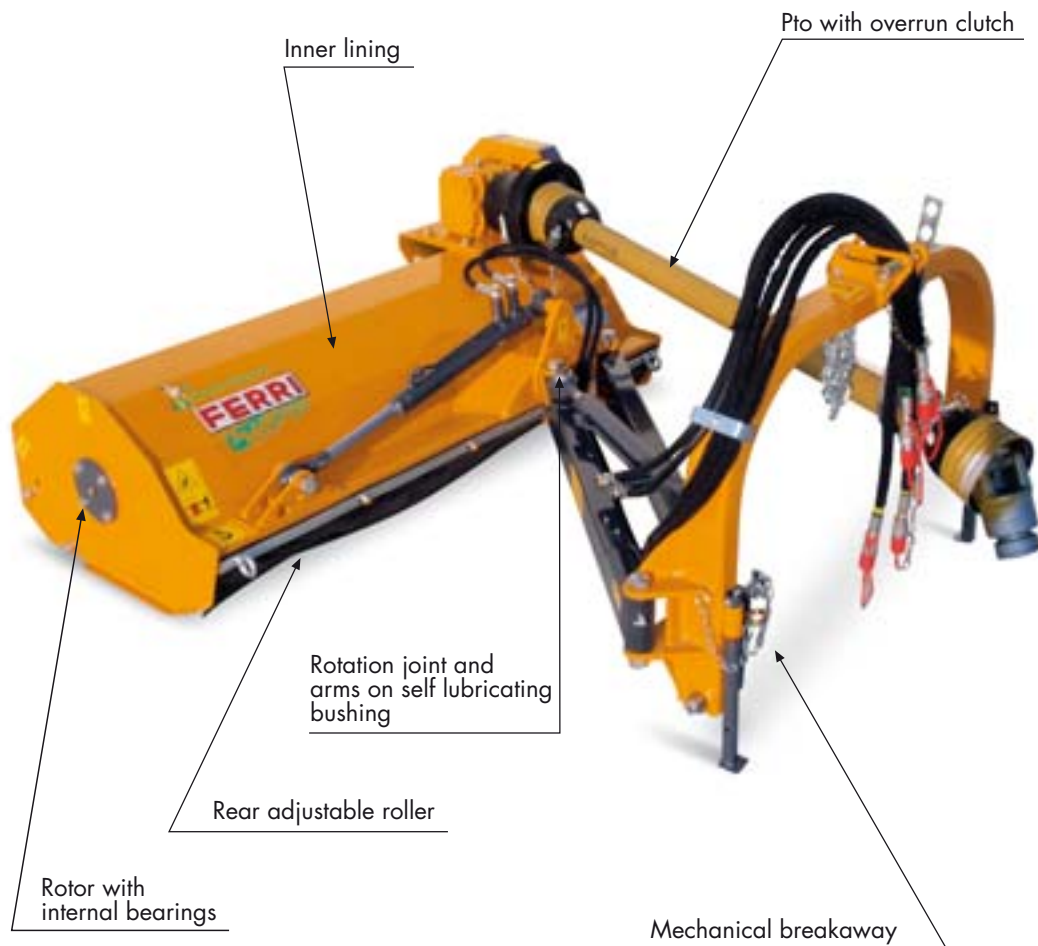
Rotation joint and arms on self lubricating bushing.




Mechanical breakaway.

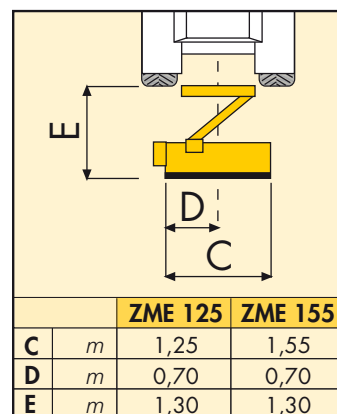
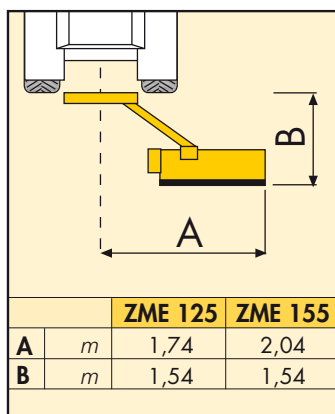
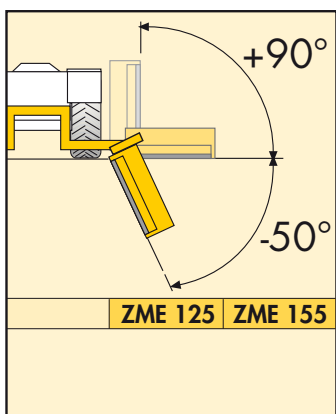


Rotor with internal bearings.



HP Tractor 	18	25	30	40	Min. tractor weight Kg	Min. tractor width m
ZME125					700	1,10
ZME155					900	1,20

#### Working positions (m)



**Technical data**

Model	Width of cut <i>m</i>	Max sidesliding* <i>m</i>	Flail head angle <i>degrees</i>	Weight <i>Kg</i>	Pto <i>Rpm</i>	Belts <i>n°</i>	Flails <i>n°</i>	Blade tip speed <i>m/sec</i>
ZME125	1,25	1,74	↓50° 90°↑	263	540	3	56	45
ZME155	1,55	2,04	↓50° 90°↑	285	540	3	72	45

(\*) Reach measured from tractor centre line to head edge.



**Features:**

- Mechanical breakaway
- Hydraulic sideshift cylinder
- Hydraulic cylinder for head positioning
- Rotation joint and arms on self lubricating bushing
- Rotor with internal bearings
- Rear adjustable roller Ø 100 cm – 3 positions
- Main housing with inner lining
- Front and rear protection of flail head
- Pto with overrun clutch

**Machines**

Model

ZME125

ZME155

**Accessories**

Kit distributor with floating - in case the tractor is not equipped with double acting valves (Code ZME12501)

**Utensili di taglio**

Coltelli snodati per:  
erba, rovi, cespugli, ecc.  
Ø max 1,5 cm



Cod. 0901133